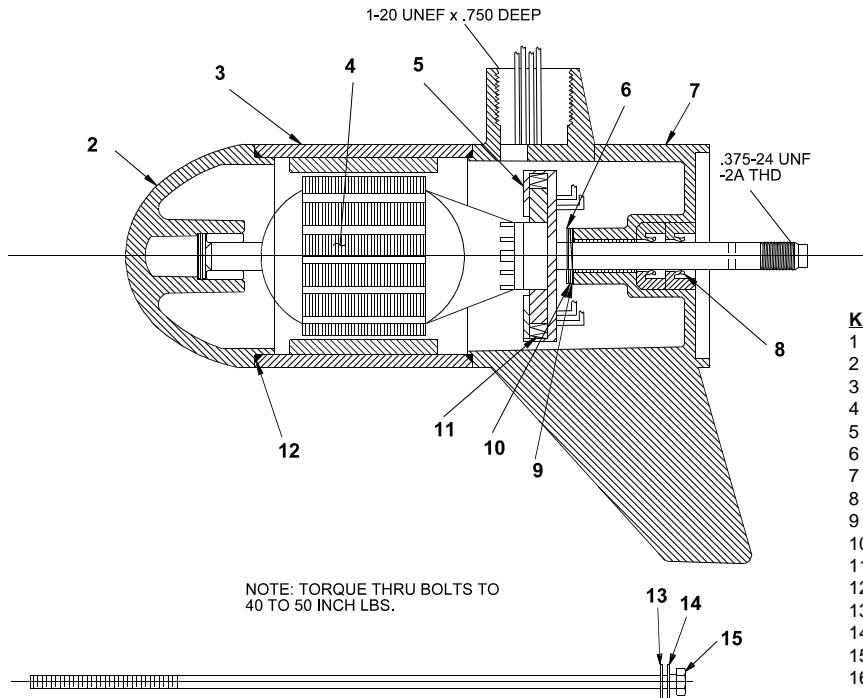




Model:  
**ET30**



KEY	QTY	DESCRIPTION	PART NO.
1	X	MOTOR	HM397-05
2	1	NOSE CAP	FF3212-03
3	1	HOUSING ASY	FF3210-07
4	1	ARMATURE 3"	HM3207-01
5	1	BRUSH ASY LESS SPRING	FF3205-04
6	1	E RING	MR219-02
7	1	COMM CAP	RT3205-02
8	2	SHAFT SEAL	MR223-01
9	1	NYLATRON WASHER	MR226-01
10	1	WASHER	MR227-01
11	2	BRUSH SPRINGS	MR214-02
12	2	O RING SEAL	HF217-01
13	4	STATIC SEAL	MR222-01
14	4	THRU BOLT WASHER	MR216-02
15	2	THRU BOLT	MR218-05
16	1	BRUSH CARD	FF3201-02

**WIRING**

